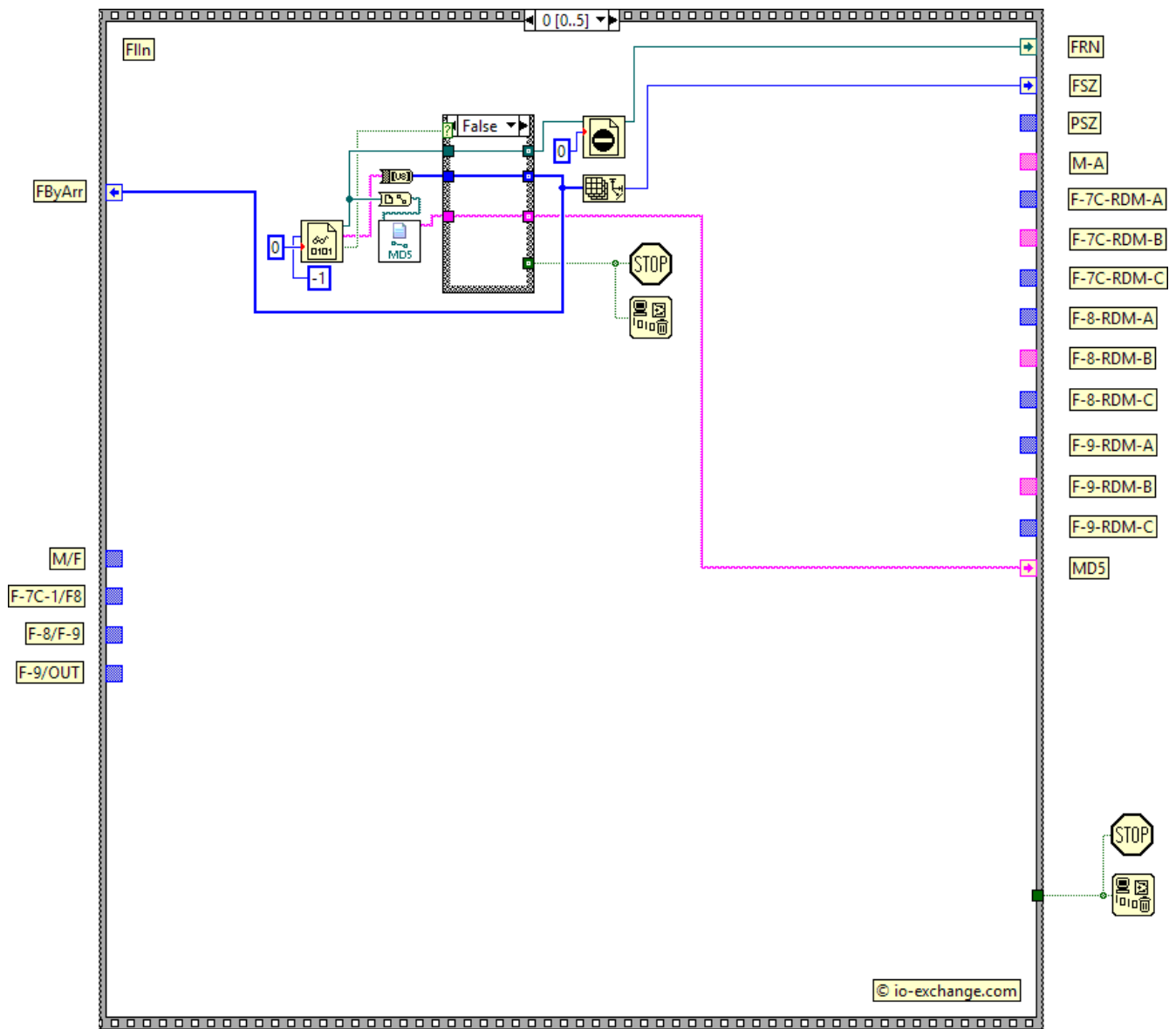


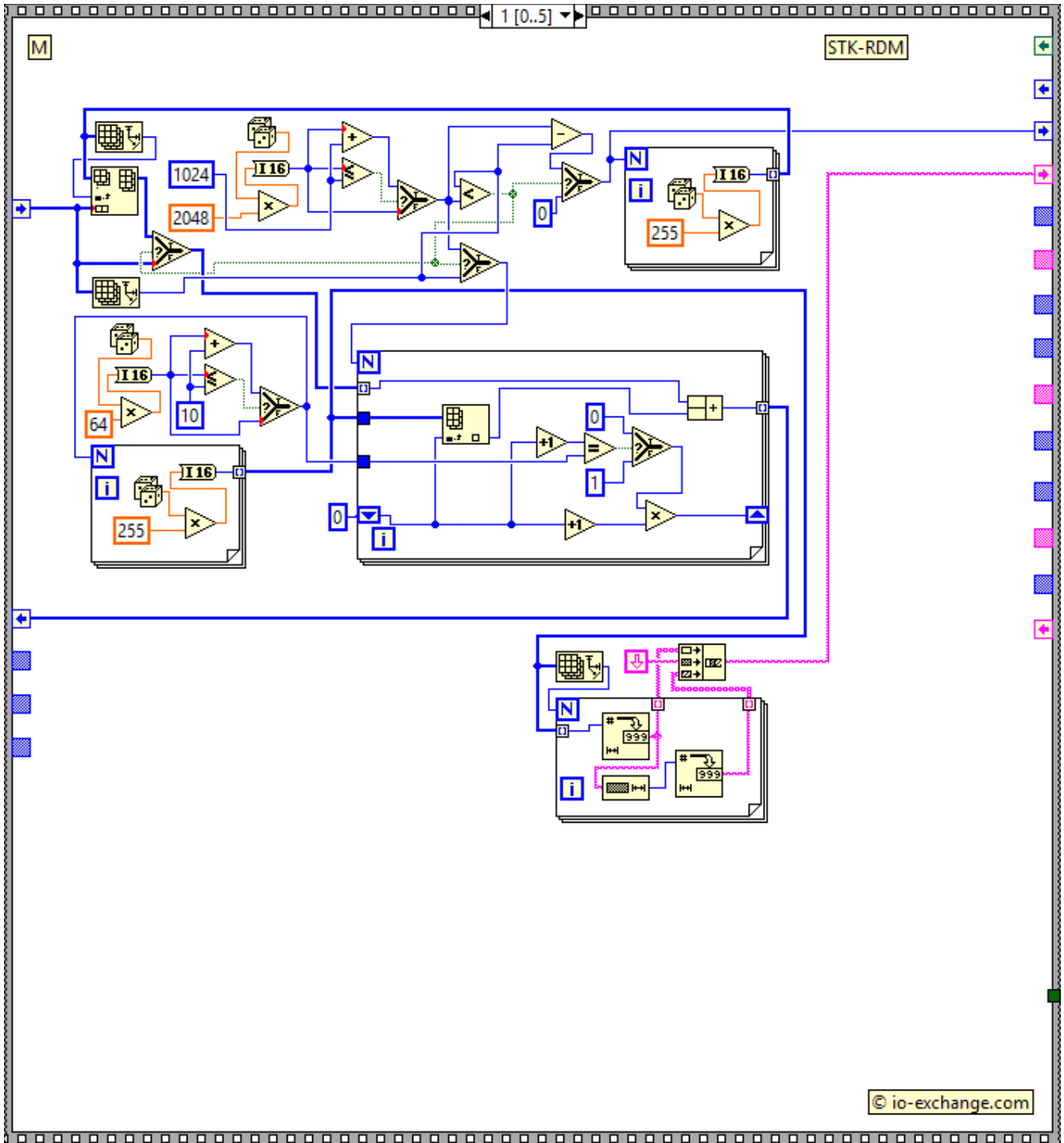
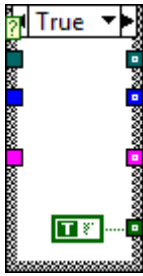
Dynamic cipher diagram STK - RLF

As part of the MONA – UPL project I release the method for cipher data in a dynamic way. Both part the staked (code) and the Rolling from (decode) are include on this document. This is not a white paper, the only purpose of the mention here is for testing and as a proof of concept.

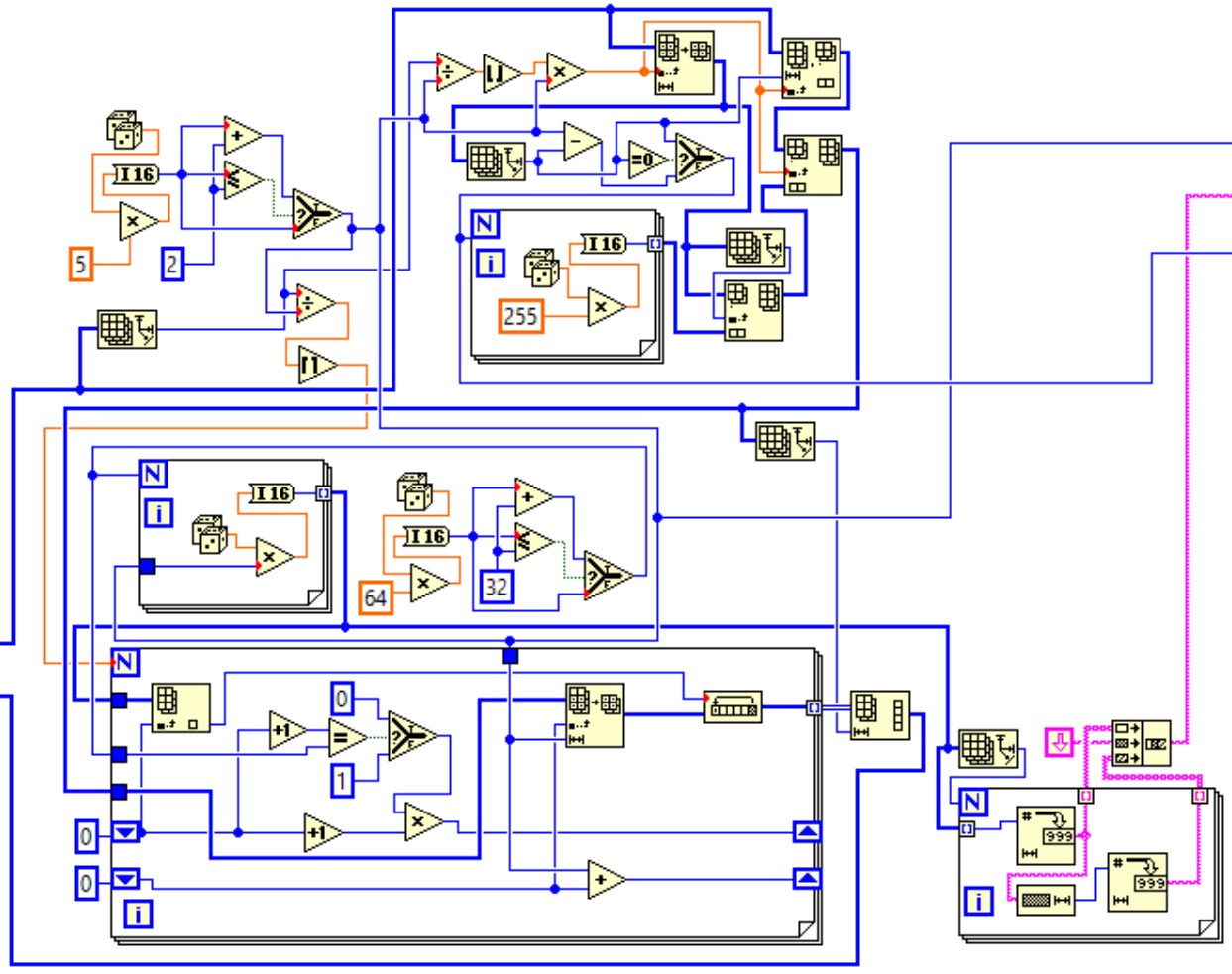
All project was deploy in LabView 8.6 (32bit) of National Instruments ©

STK:

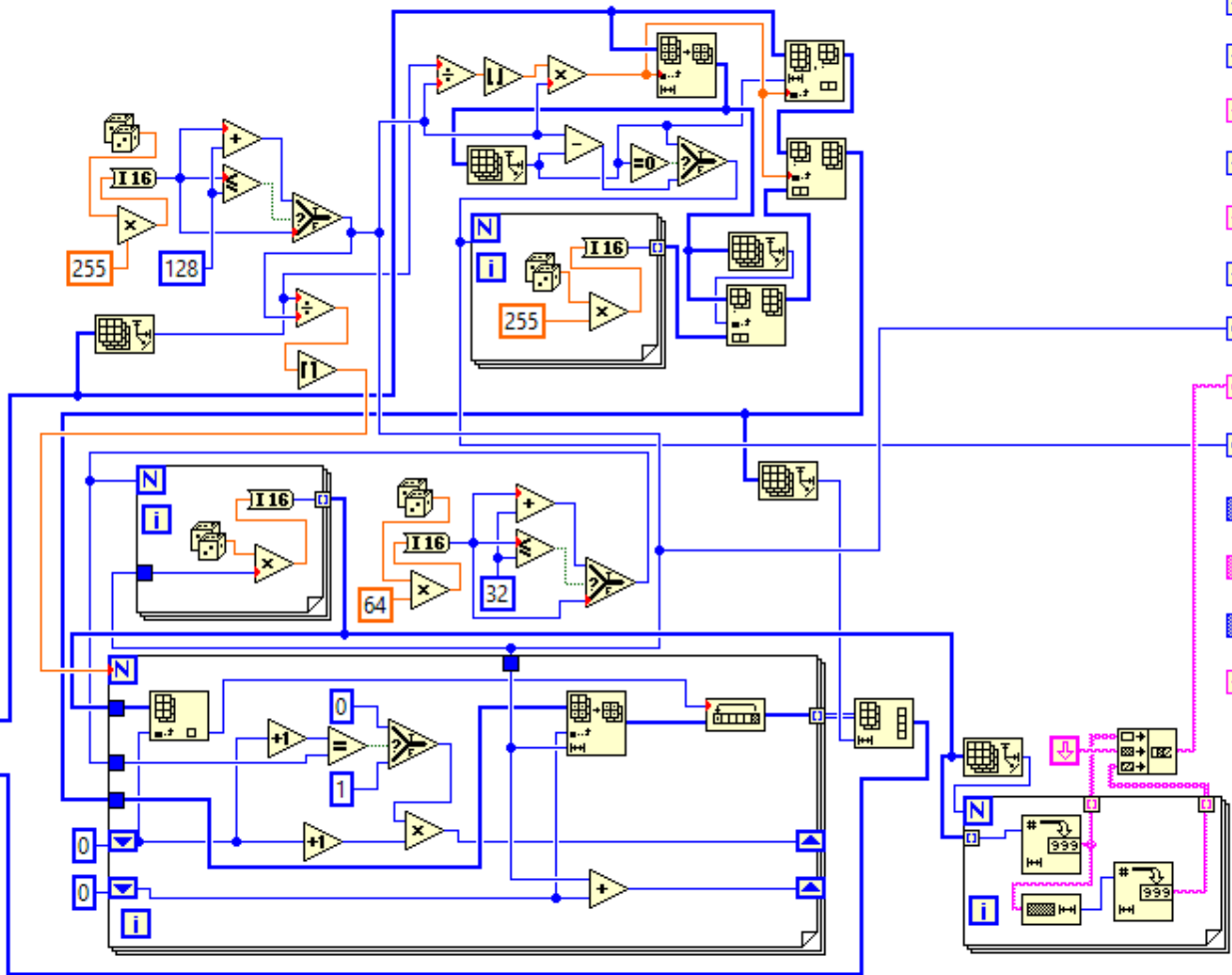




F-7C-RDM

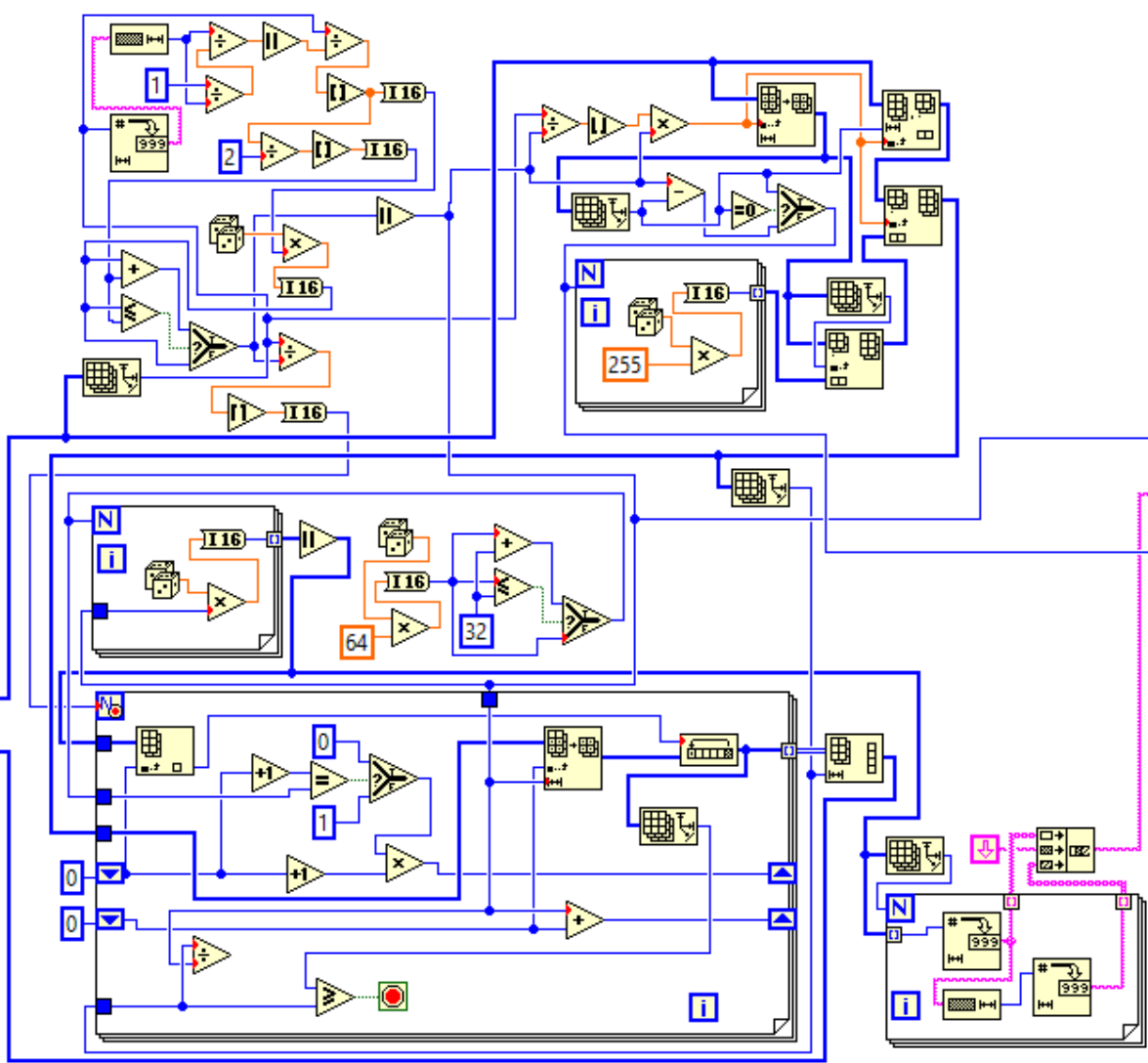


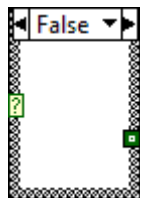
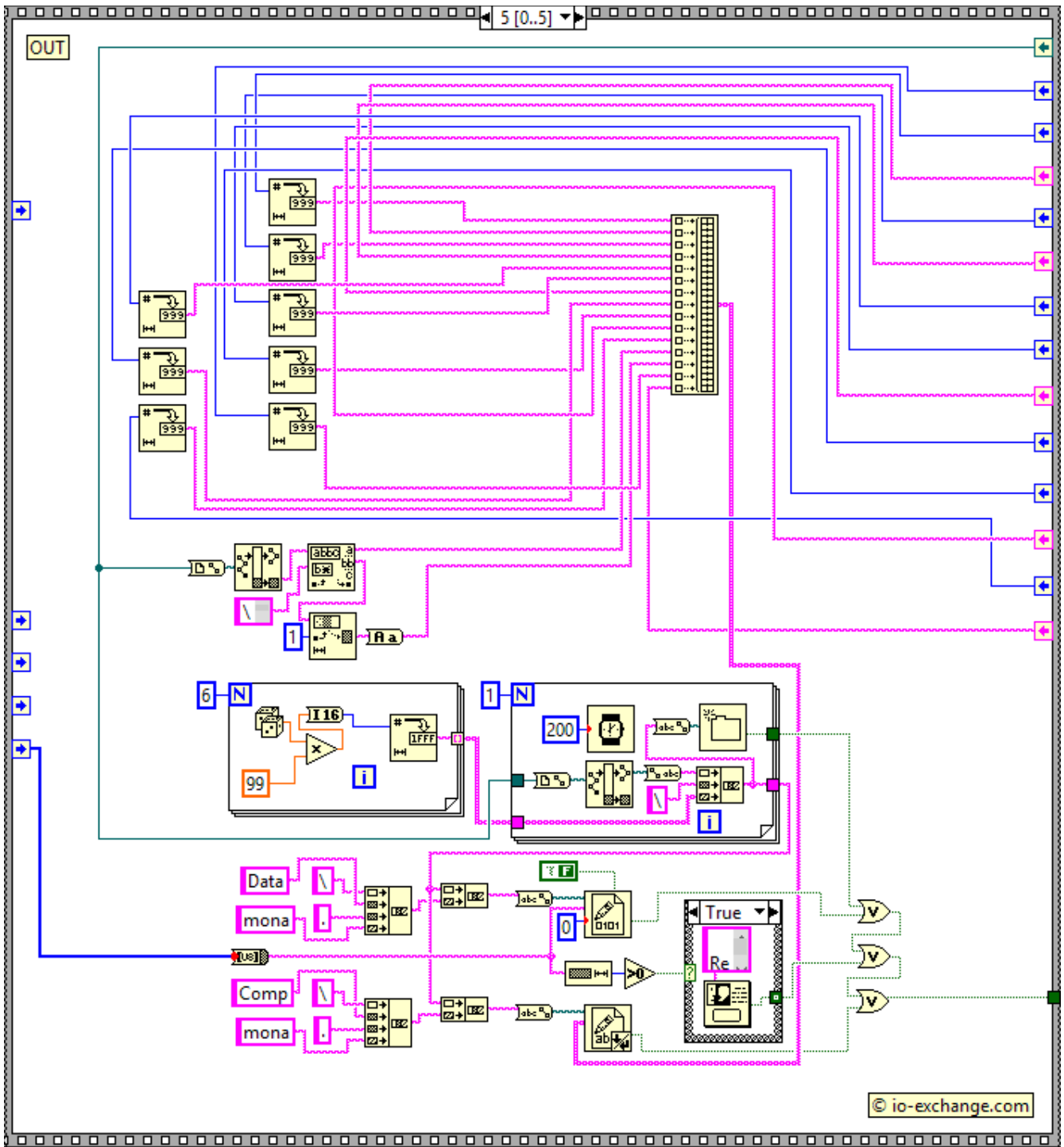
F-8-RDM



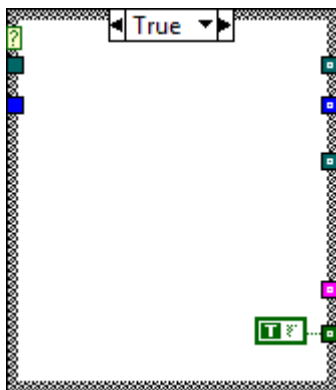
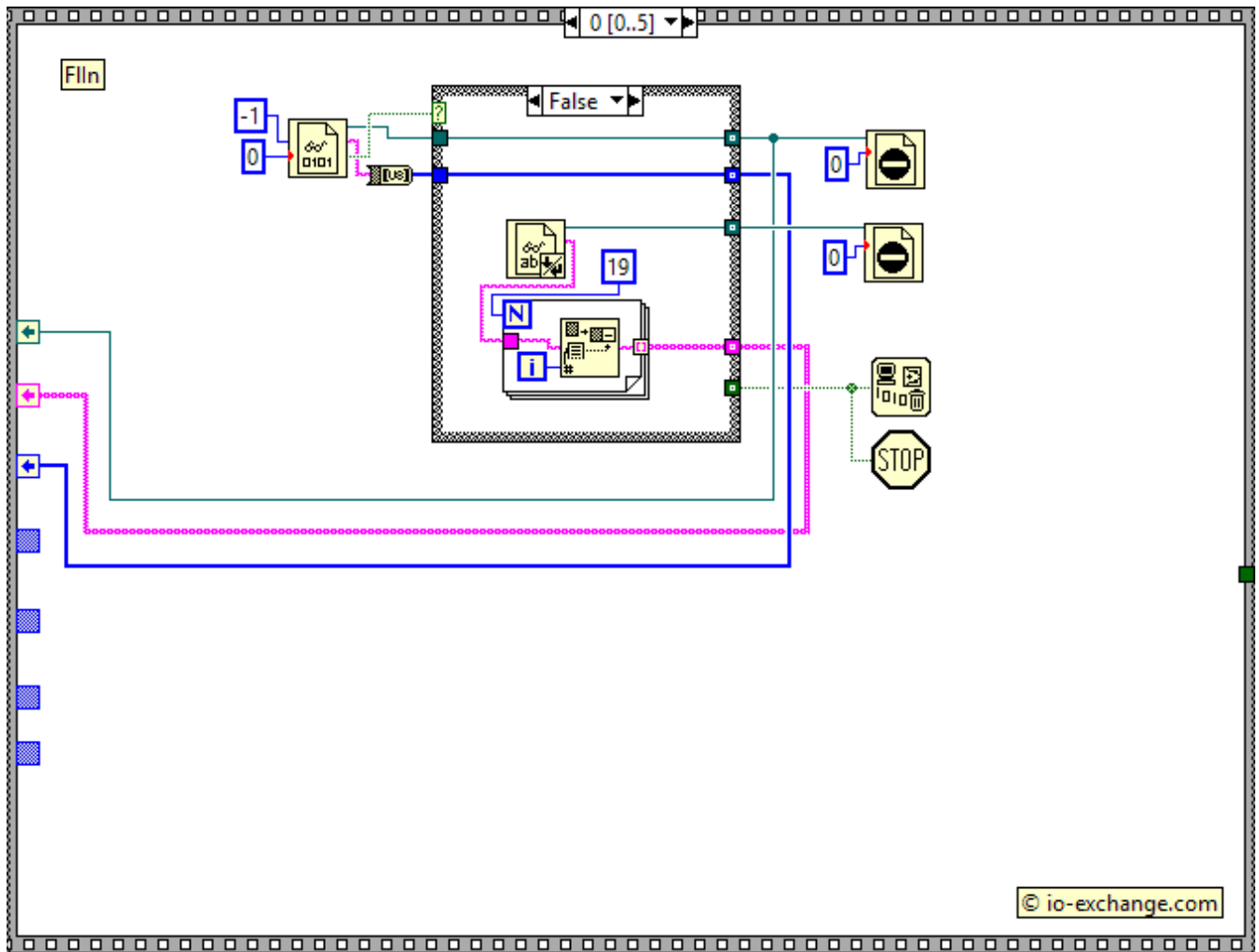
F-9-RDM

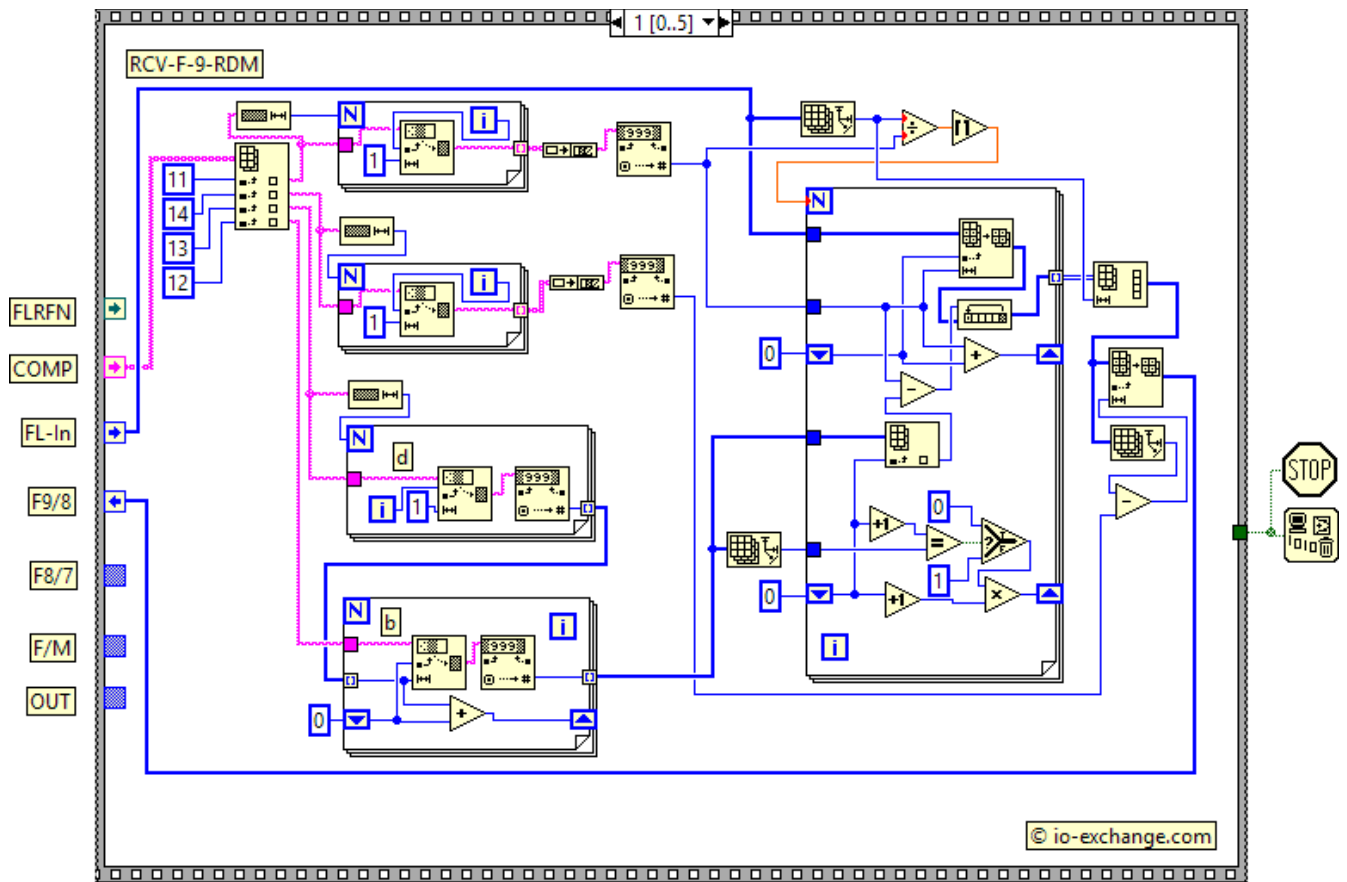
4 [0.5]



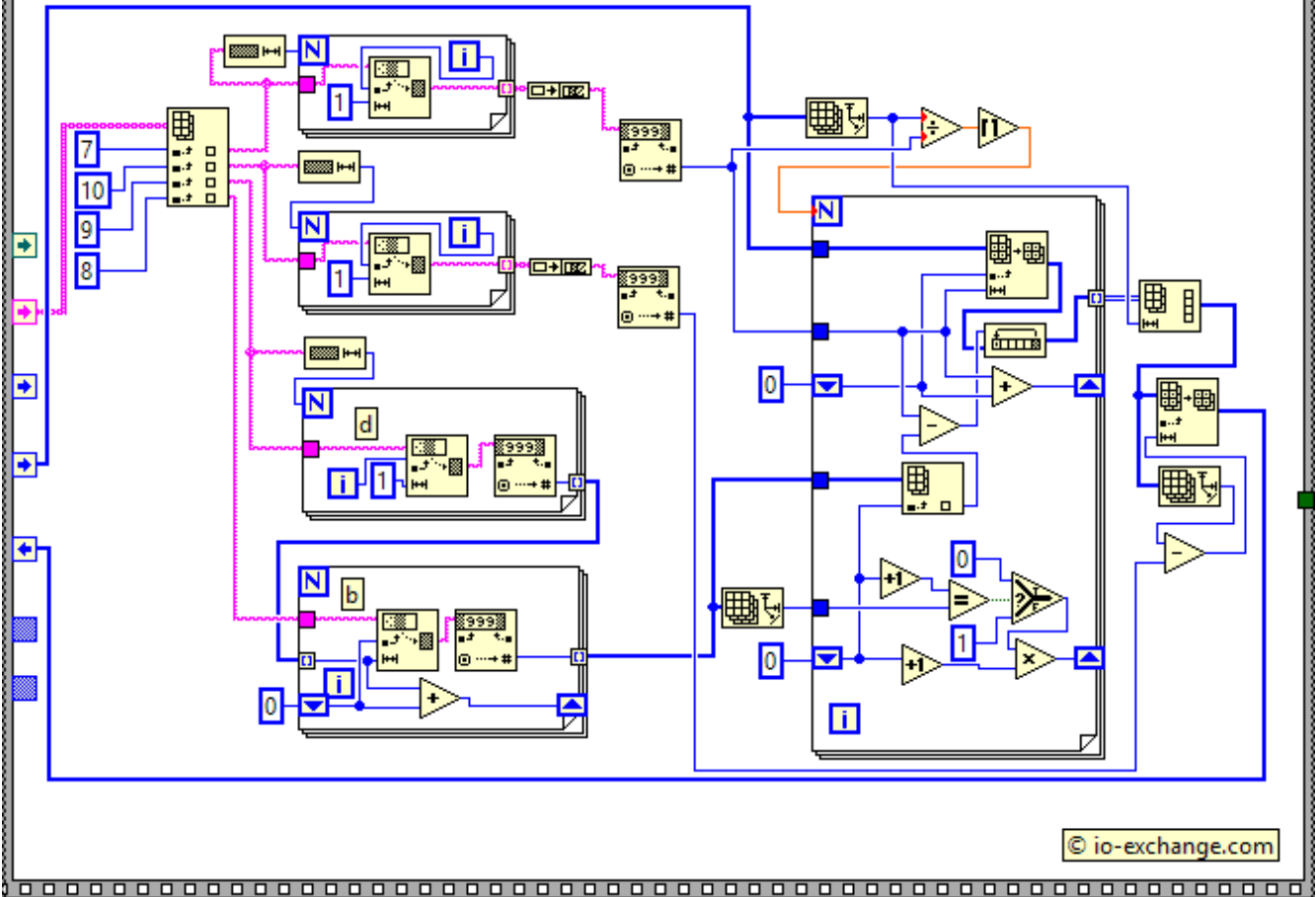


RLF:

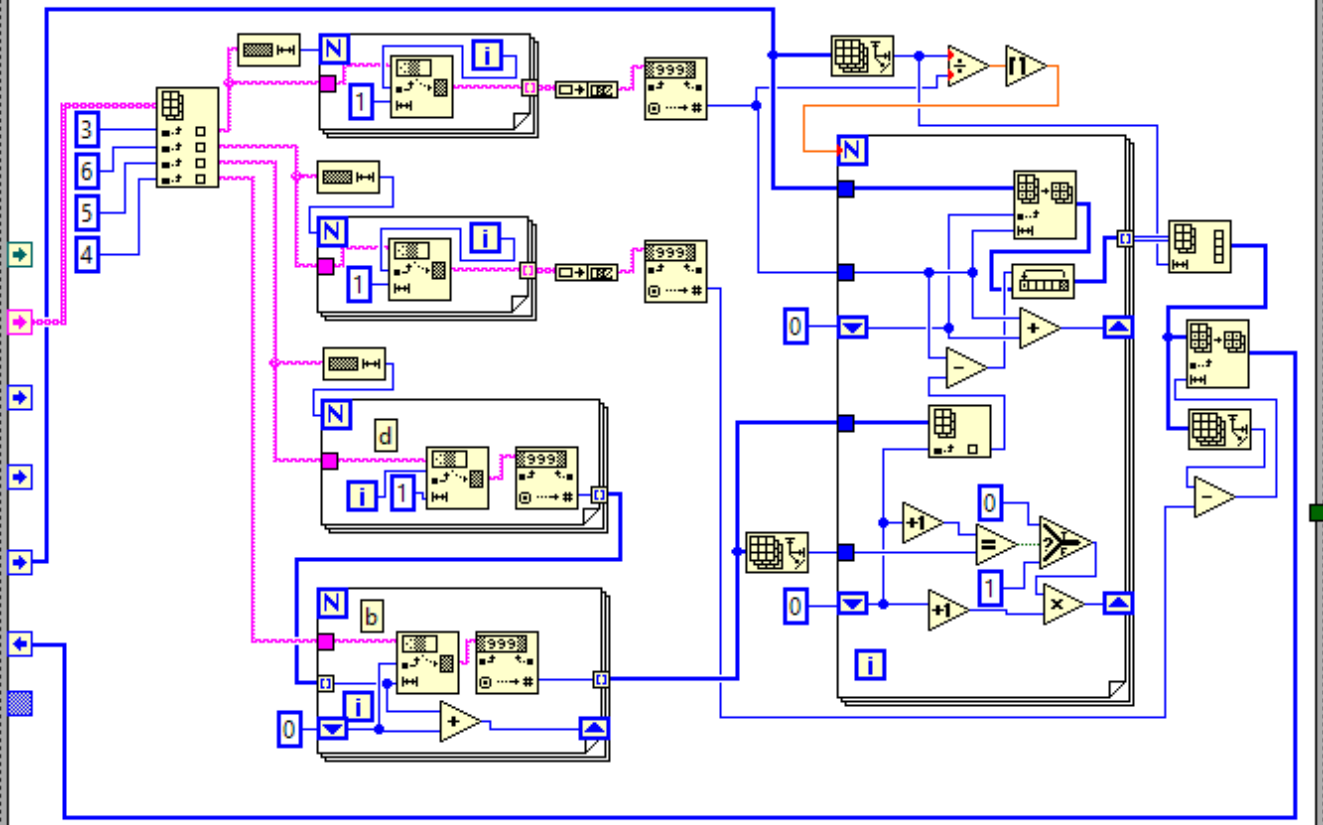




RCV-F-8-RDM



RCV-F-7-RDM



M

RLF-RDM

